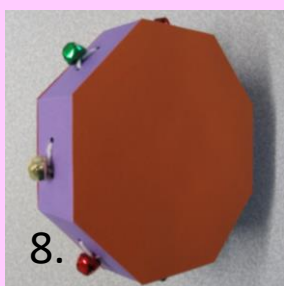
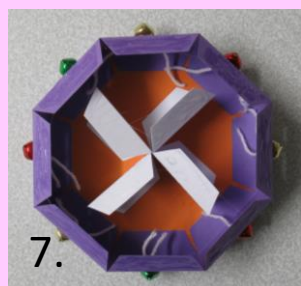
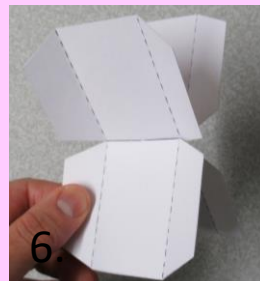
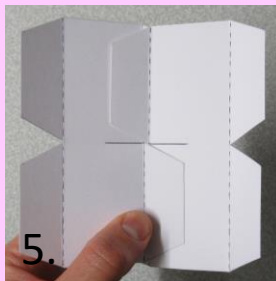
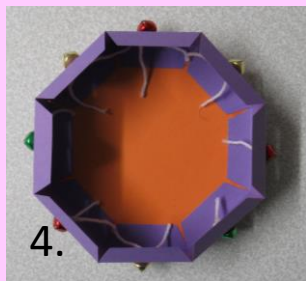
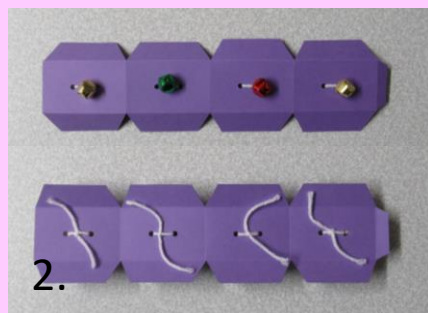
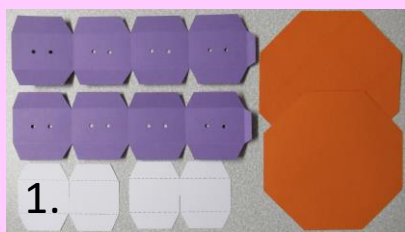


# Make a Tambourine

## You will need:

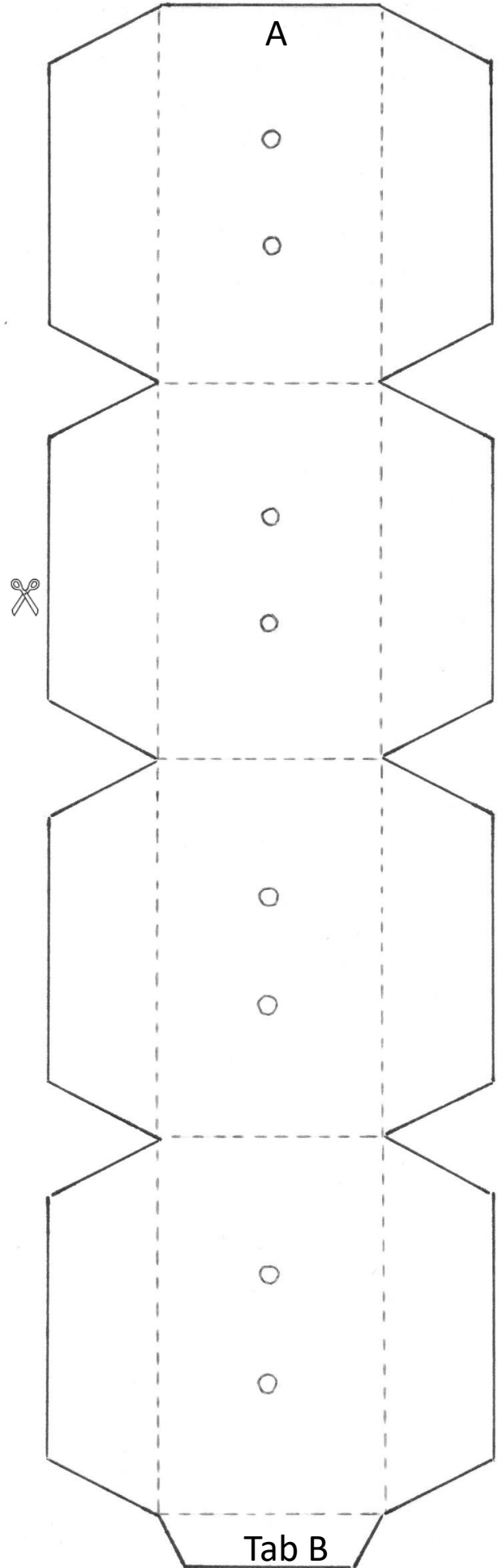
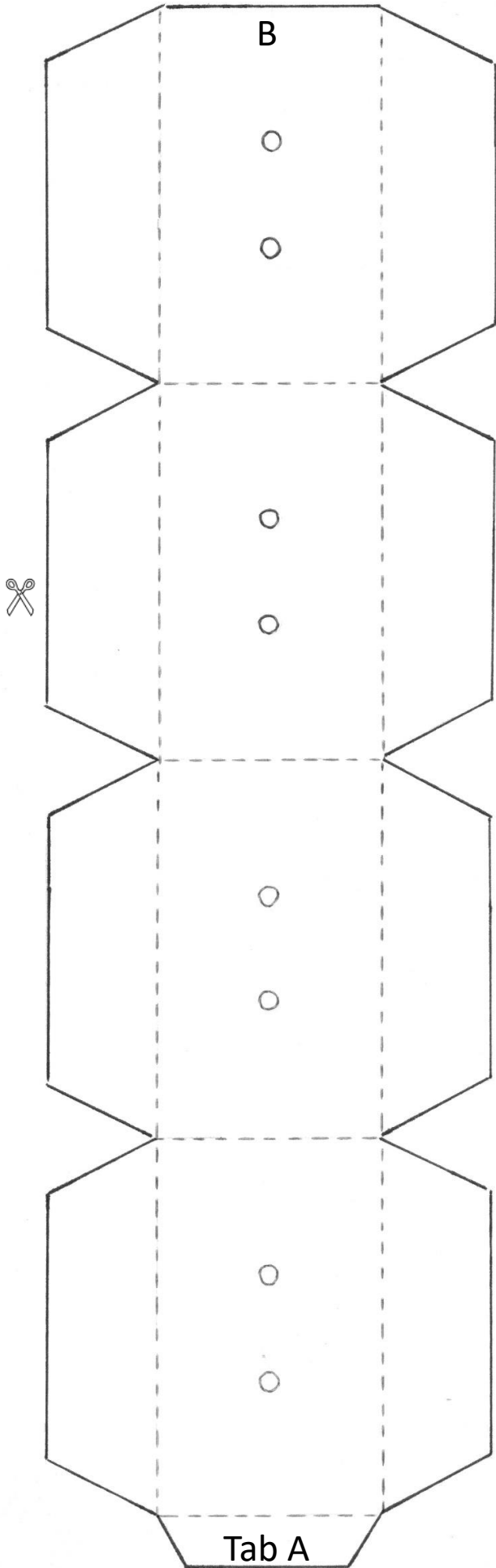
- ❖ The Tambourine templates.
- ❖ A4 Colour craft card.
- ❖ Scissors.
- ❖ Glue stick and all purpose glue.
- ❖ Pencil.
- ❖ 8 craft jingle bells.
- ❖ String.



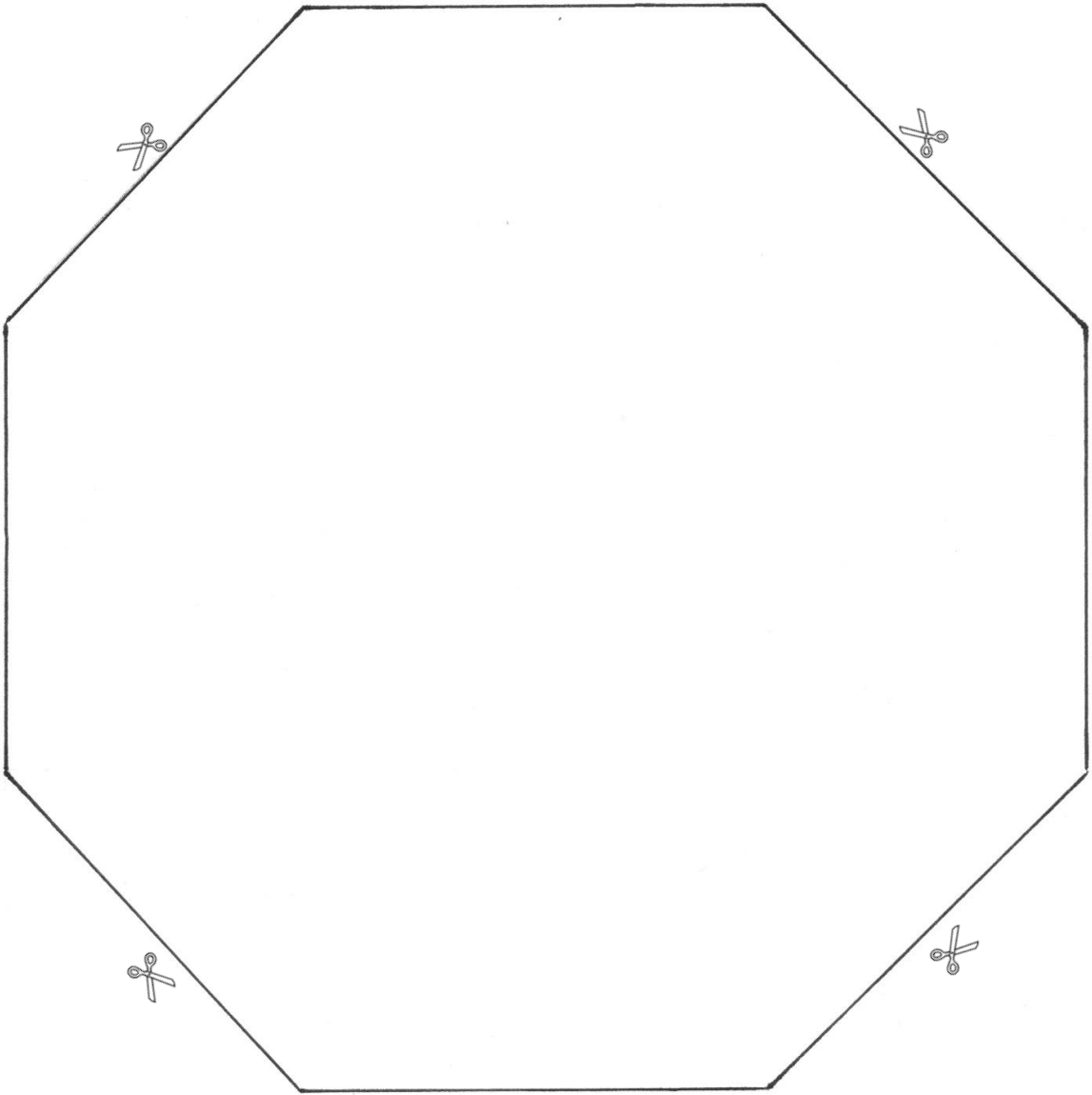
## How to make a Tambourine:

1. Cut along the solid outline of the templates provided. Do not cut along the dashed lines. Draw the outline of the shapes on to colour craft card (or glue the templates on to the craft card). Cut around the shapes and decorate. See photograph 1.
2. The decorative frog, panda and stars can remain in paper format.
3. **The tambourine frame:** Pierce the small holes with a pencil. Fold along the dashed lines. Cut the string into lengths long enough to tie the bells on to the frame. String through the bells. Insert the strings through the small holes in each section and tie a knot inside the frames. See photograph 2.
4. Attach the two frames together. Glue 'tab A' and stick on to 'A'. Glue 'tab B' and stick on to 'B', to create a circular frame. Make sure the bells are on the outside of the frame. See photograph 3.
5. **The tambourine head:** You will need two tambourine octagon shaped heads. Glue around the edges of one octagon shape. Place the frame of the tambourine upon the shape, adjusting the frame so it fits neatly on the edges of the octagon. See photograph 4.
6. **The inner support:** slot through 'C' and 'D' together to create a cross. See Photographs 5 and 6.
7. Glue the tabs on one side of the cross shaped support. Stick into the tambourine. See Photograph 7.
8. Glue all the tabs on the tambourine, including the remaining tabs of the inner support. Place the second octagon head neatly on top of the glued frame. See photograph 8.
9. Now decorate your tambourine with the pictures of the frog, panda and stars.

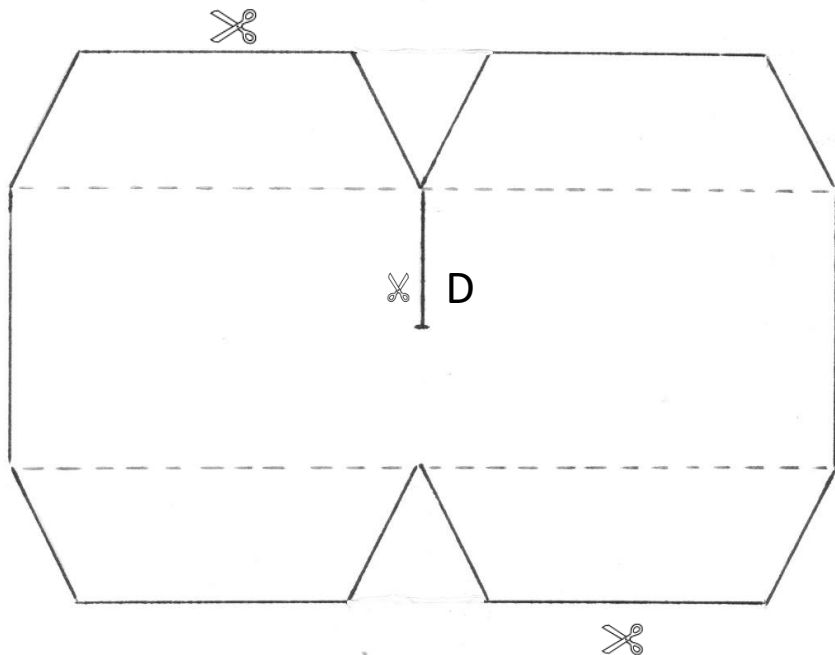
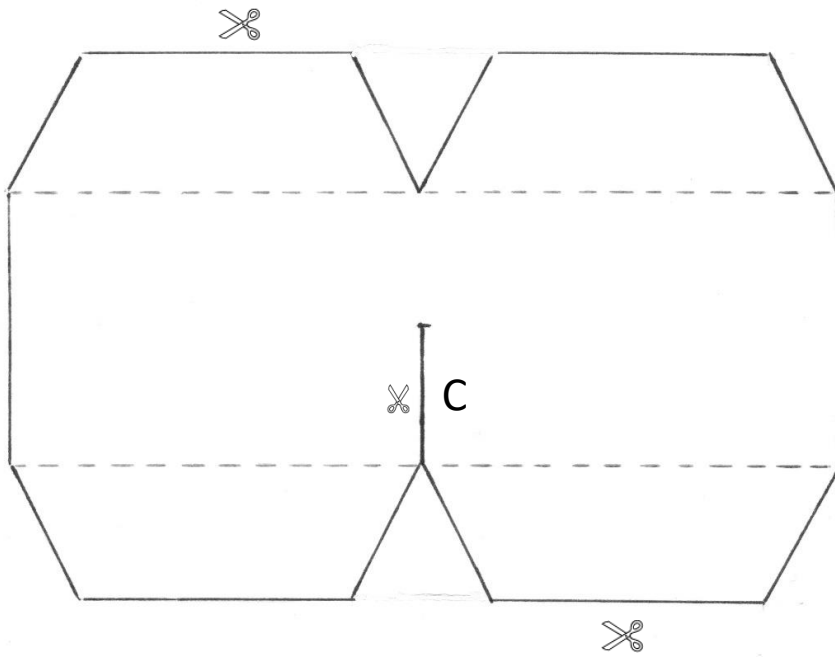
Tambourine frame: cut along the outline of the shapes ✂  
Pierce the small holes with a pencil. Fold along the dashed lines.



Tambourine head: cut along the outline of the shape ✂  
You will need two of this octagon shape.



Tambourine inner support: cut along the outline of the shapes ✂  
Fold along the dashed lines.  
Slot (C and D) together to create a cross.





Tambourine decoration.  
To remain in paper format.  
Cut along the outline  
of the shapes ✂

