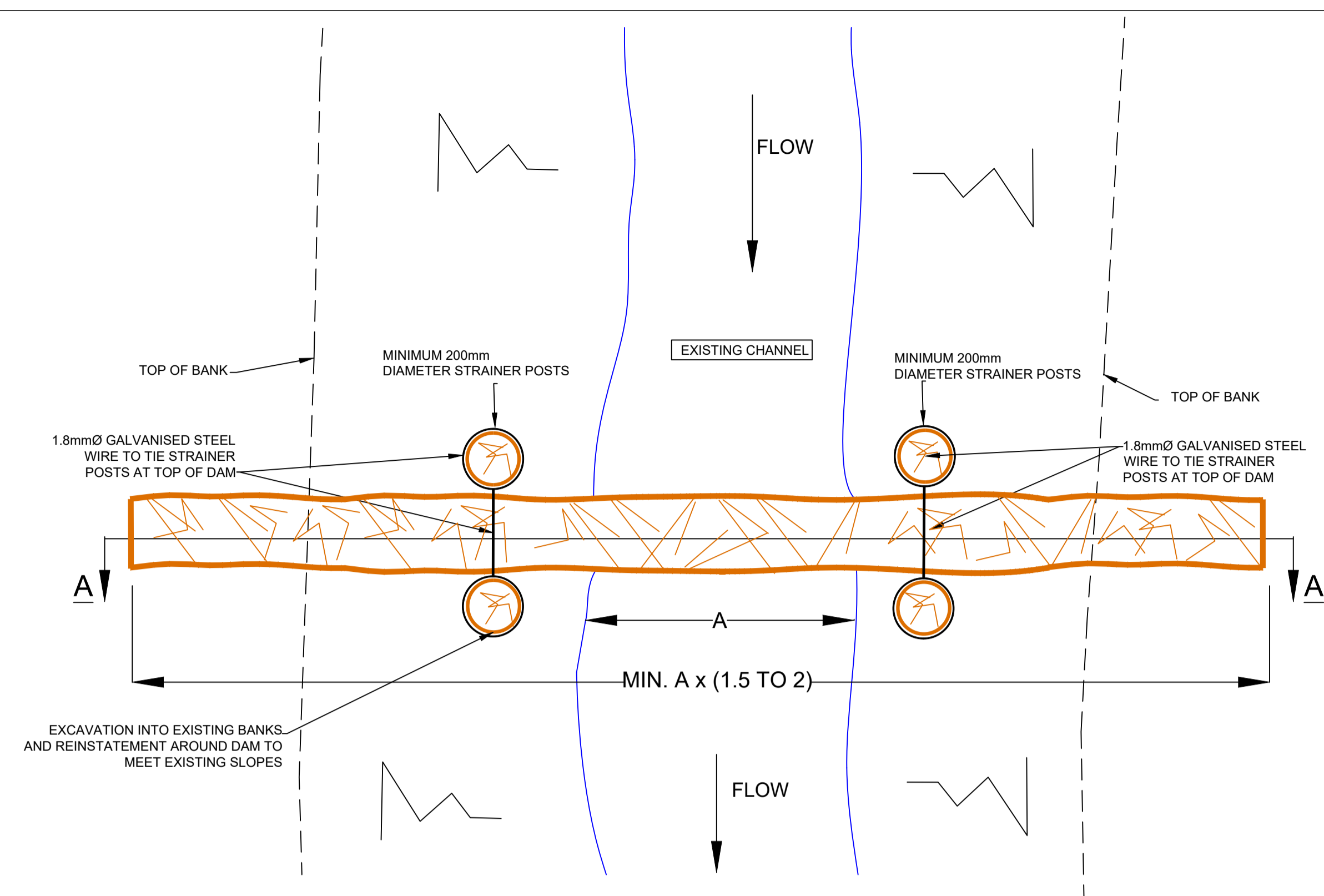
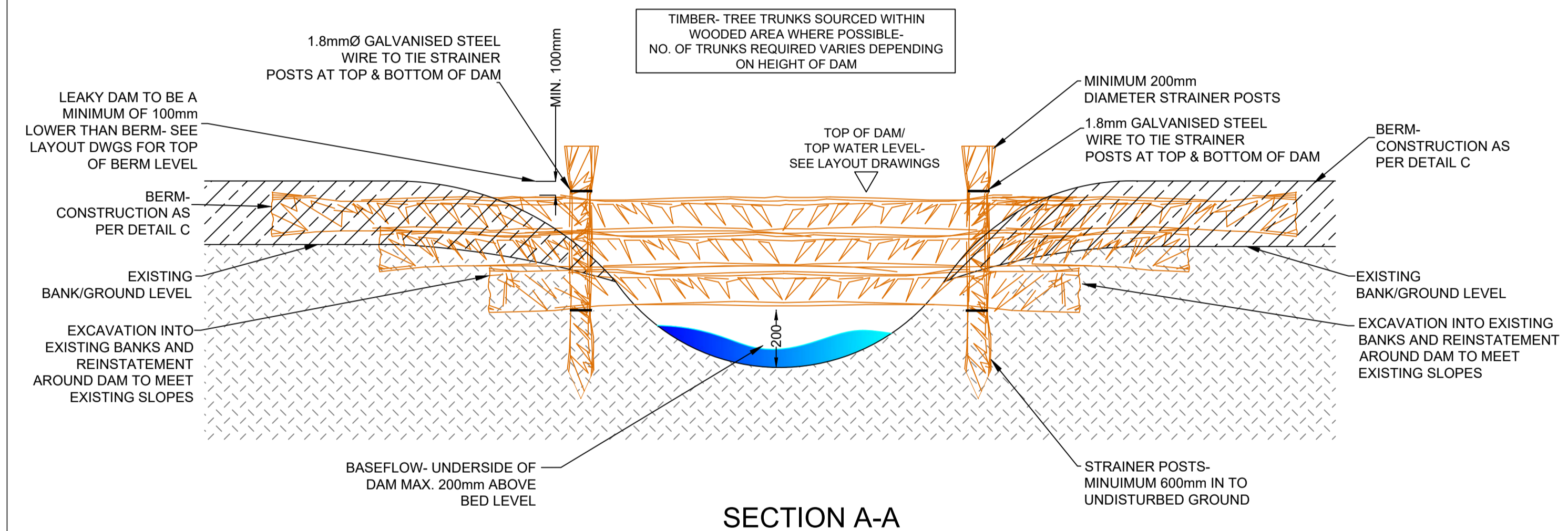


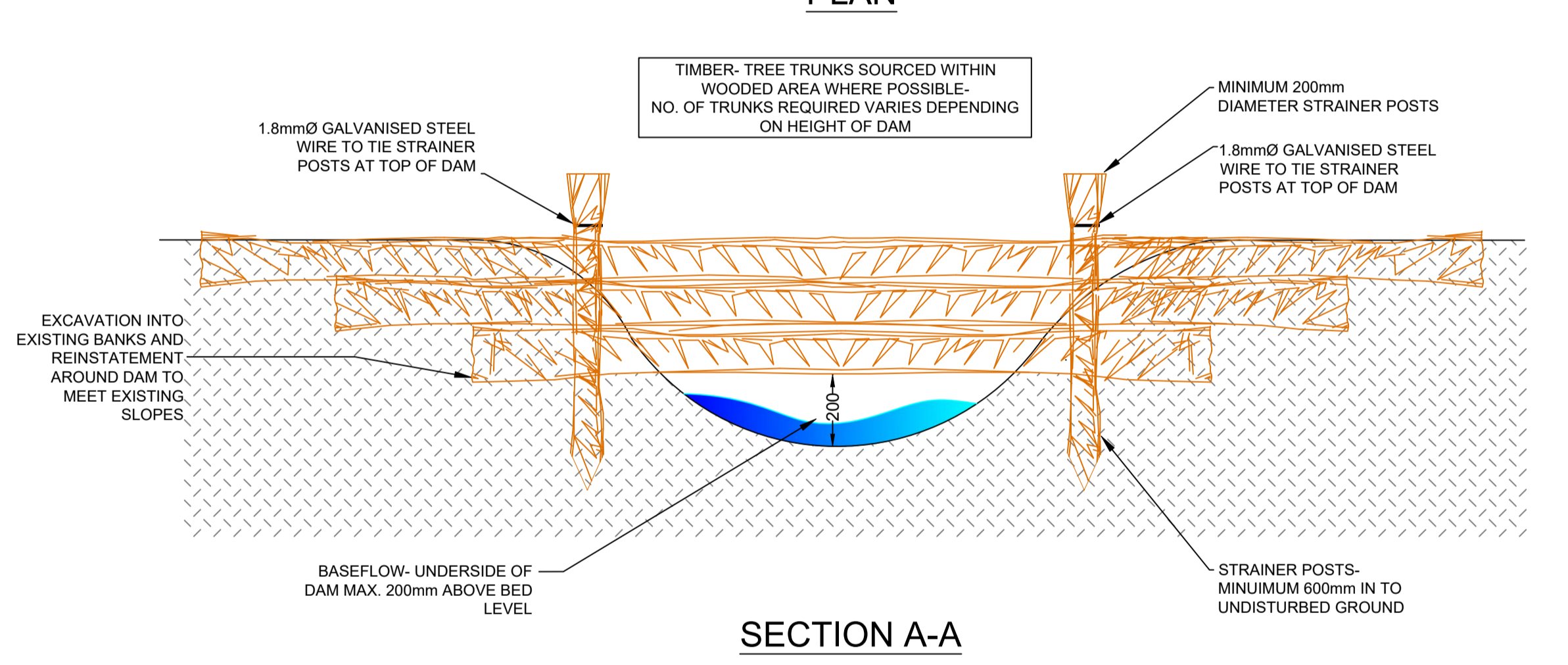
PLAN



PLAN



SECTION A-A



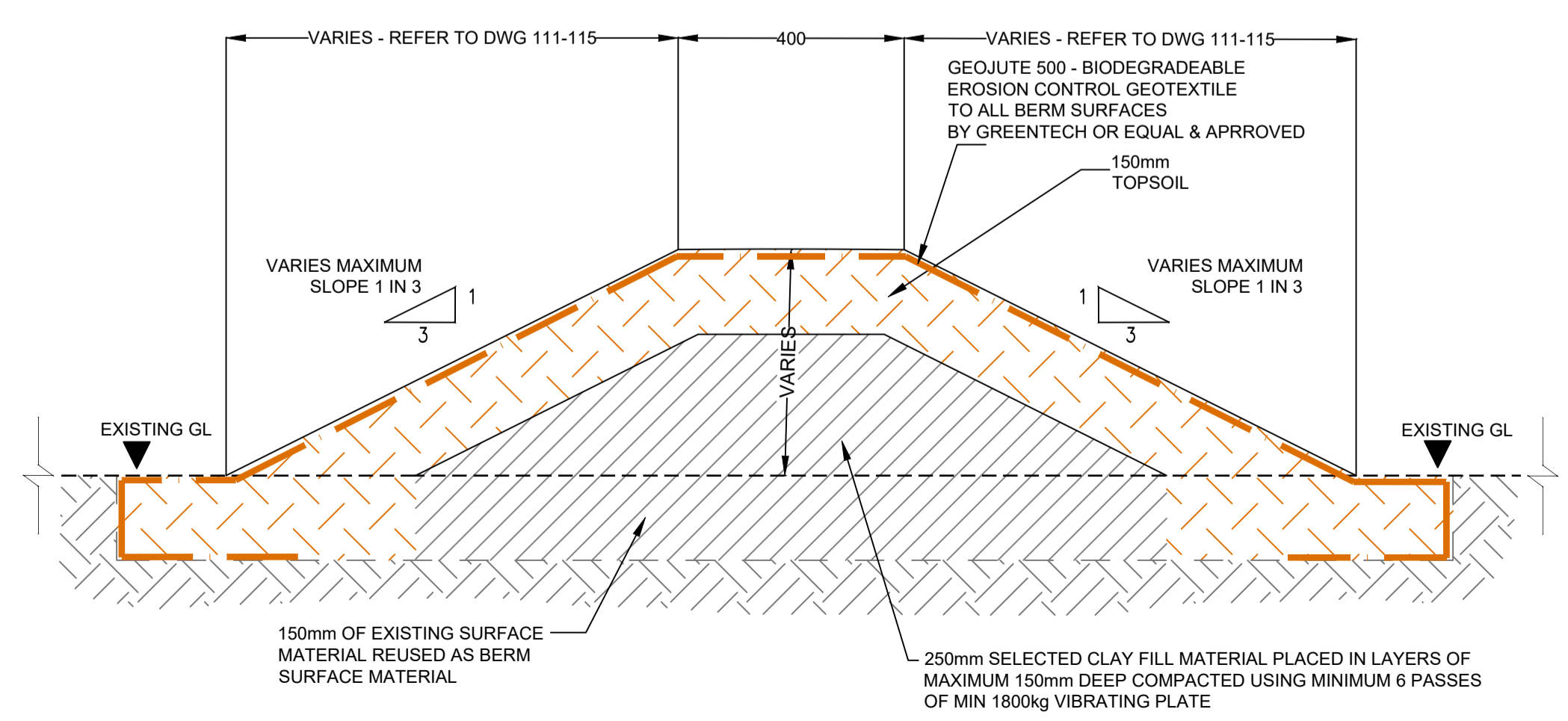
SECTION A-A

- NOTES:
- LOGS TO BE < 400mm Ø.
  - LOGS TO BE PLACED PERPENDICULAR TO THE ORIENTATION OF CHANNEL.

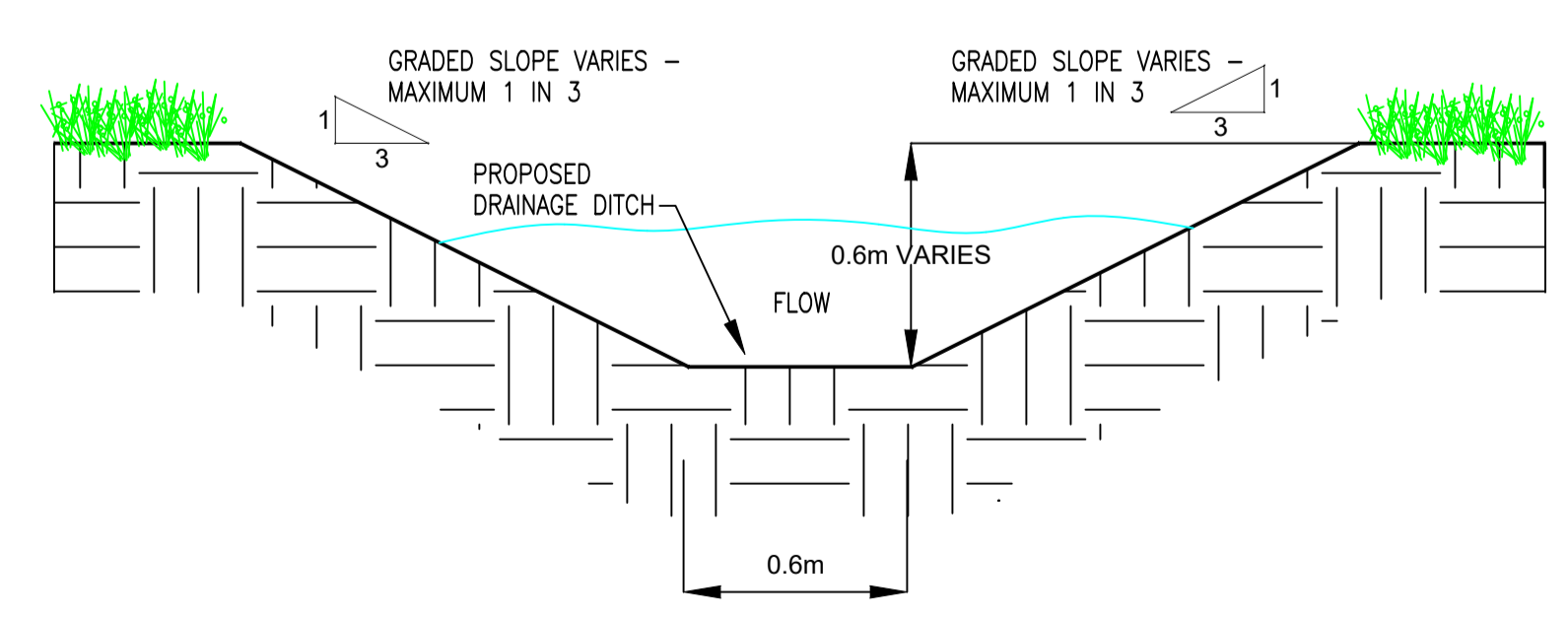
DETAIL A - TYPICAL LEAKY DAM & BERM DETAIL (LD/BM)  
NTS

- NOTES:
- LOGS TO BE < 400mm Ø.
  - LOGS TO BE PLACED PERPENDICULAR TO THE DIRECTION OF FLOW.

DETAIL B - TYPICAL LEAKY DAM DETAIL WITHIN CHANNEL (LD)  
NTS



DETAIL C - PROPOSED BERM  
SCALE: 1:10



DETAIL D - TYPICAL DITCH DETAIL  
SCALE 1:20

1	DMC	PDD	03/02/21	DETAILED DESIGN
STATUS				
DETAILED DESIGN				
T: 028 9084 8694 F: 028 9084 1525 E: info@mcclayconsulting.com W: www.mcclayconsulting.com				
PROJECT QUEENSWOOD NATURAL FLOOD MANAGEMENT				
CLIENT LONDON BOROUGH OF HARINGEY				
DRAWING TITLE PROPOSED CONSTRUCTION DETAILS 1 OF 3				
SCALE		ORIGINAL SIZE		
AS SHOWN @ A1		A1		
DRAWN	CHECKED	DATE		
VB	PDD	03/02/2021		
PROJECT NO.	DRAWING NO.	ISSUE NO.		
M01600/03	DWG_200	1		