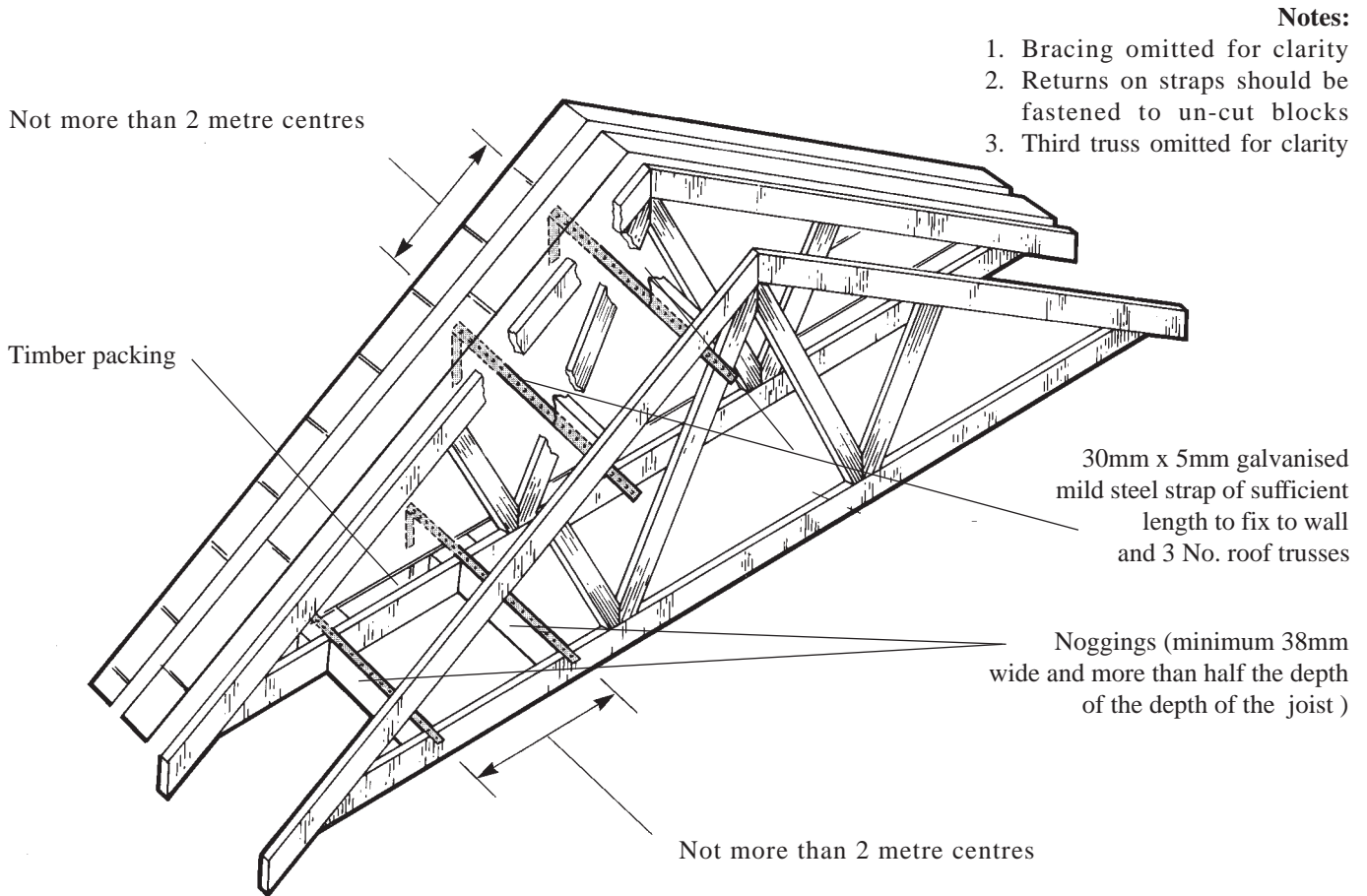


SPACING OF STRAPS AT GABLES



STRAPPING GABLES TO RAFTERS

Straps provide most of the lateral stability to the gable wall and are nearly always required. They must engage a full block on a gable, and will need to be fitted to the underside of the rafter members. Nail each strap to at least three rafters and to the timber noggings, which are needed between the rafters (as shown right).

Straps can be fixed before the gable is built, but great care is needed to ensure that downturns are in line and match with coursing. Straps can be built into the masonry in their correct positions and temporarily tied to the rafters; allowing noggings and packing to be added later. Nailing a strap (or even screwing it) into position while the masonry is green is difficult to do without disturbing and weakening the blockwork.

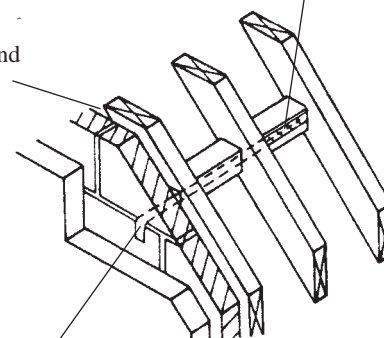
HOW TO FIX RAFTER STRAPS

Engage at least three rafters with each strap

Straps of 5 x 30 mm galvanised steel

Use corrosion resistant nails (3.35 x 65 mm)

Pack between end rafter and wall



Nail noggings securely to the rafters

Straps to have at least 100mm downturn tight against a full block on the gable

ISSUED: 8 August 1996

ISSUE No : A.02

© Crown Copyright reproduced with the permission of the Controller of Her Majesty's Stationery Office & © Zurich Municipal. Further information can be obtained from The Building Regulations 1991 Approved Document A 1992 or from Zurich Municipal Technical Guidance Note 9B 1994 or from the Building Control Section of your Local Council. The views expressed in this document are those of the DSA and do not necessarily reflect those of the Department of the Environment or any other Government Department.

DSA
DISTRICT SURVEYORS
ASSOCIATION