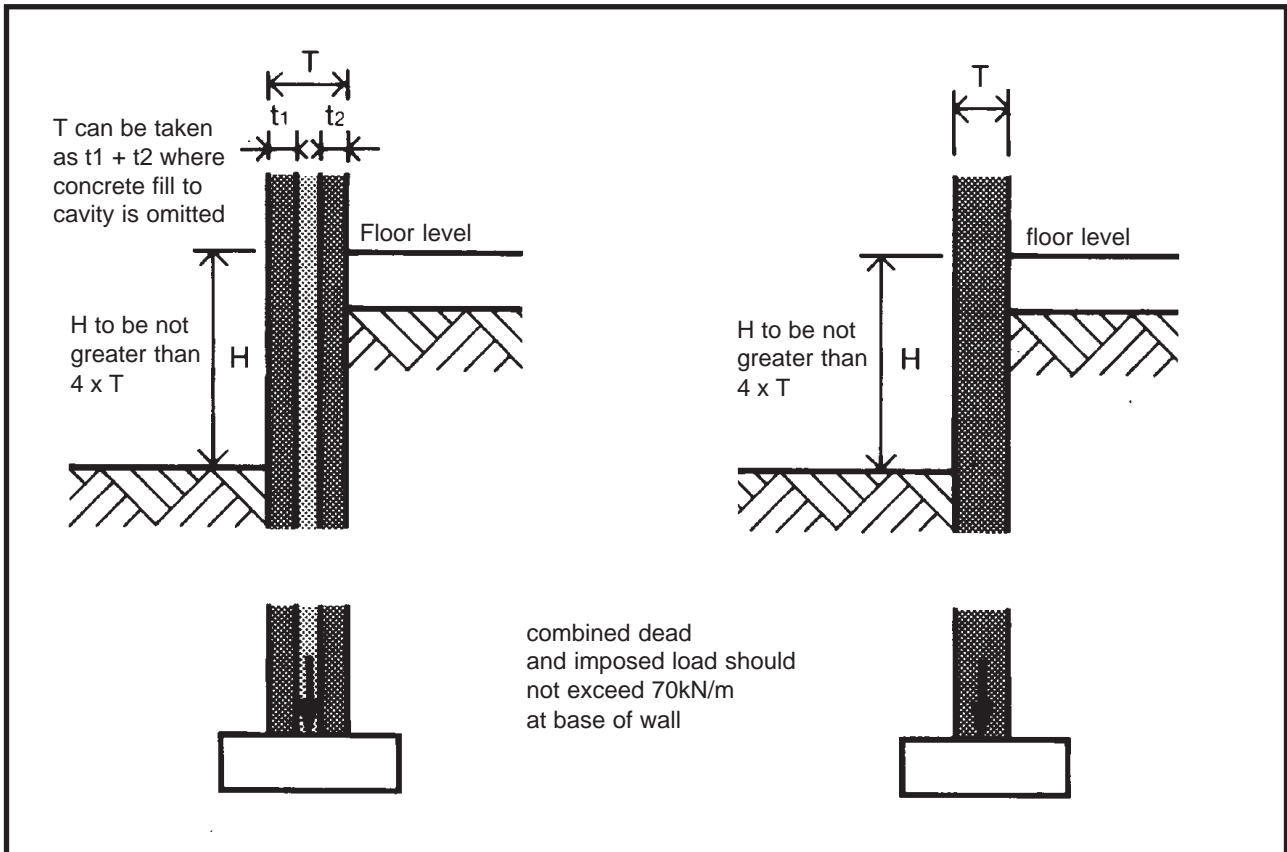


## RETAINING WALLS

Differences in level of ground or other solid construction between one side of the wall and the other should be less than 4 times the thickness of the walls.



ISSUED : 8th August 1996

ISSUE No : A.11

© Crown Copyright reproduced with the permission of the Controller of Her Majesty's Stationery Office. Further information can be obtained from The Buildings Regulations 1991 Approved Document A 1992 or from the Building Control Section of your Local Council. The views expressed in this document are those of the DSA and do not necessarily reflect those of the Department of the Environment or any other Government Department.

**DSA**  
DISTRICT SURVEYORS  
ASSOCIATION