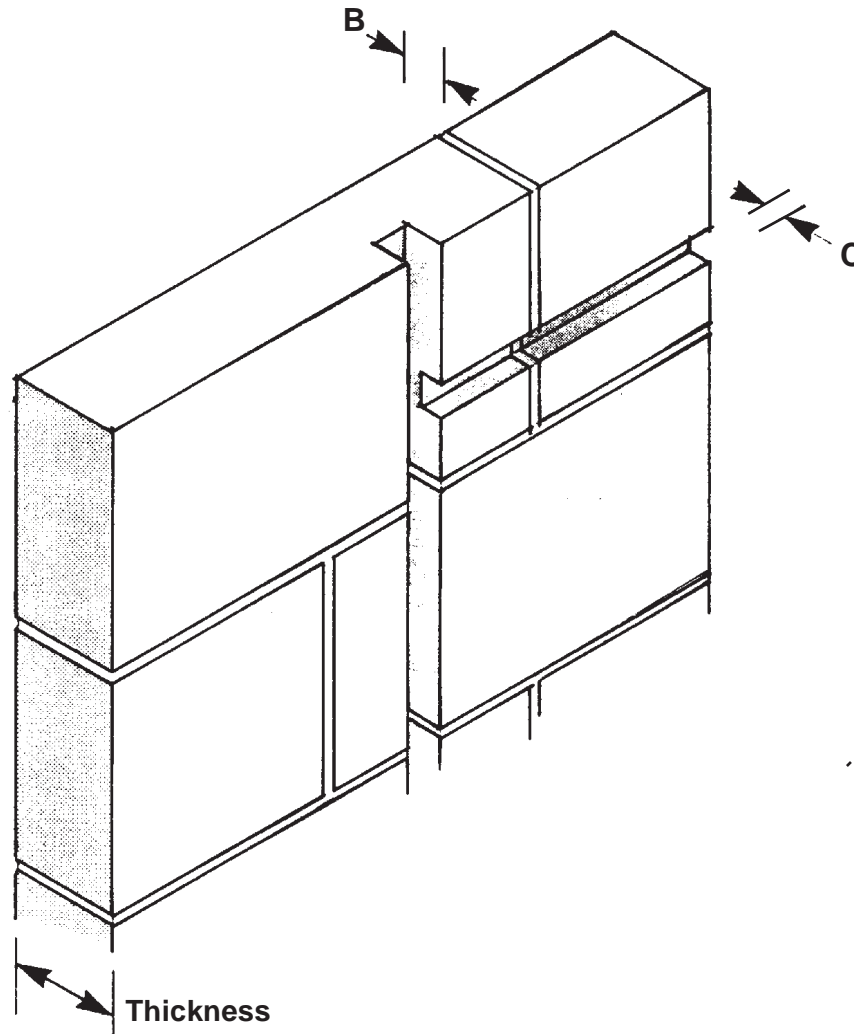


CHASES IN WALLS



Limit on the depth of chases

- A. Vertical chases, indicated B on the above diagram, should not be deeper than $\frac{1}{3}$ rd of the wall thickness or, in a cavity wall, $\frac{1}{3}$ rd of the thickness of the relevant leaf.
- B. Horizontal chases, indicated C on the above diagram, should not be deeper than $\frac{1}{6}$ th of the wall thickness or, in a cavity wall, $\frac{1}{6}$ th of the thickness of the relevant leaf.
- C. Chases should not be so positioned as to impair the stability of the wall. Back to back chases are not permitted.
- D. For hollow or cellular blocks maintain a residual thickness of 15mm between the chase and the void unless otherwise recommended by the manufacturer.

ISSUED : 8th August 1996

ISSUE No : A.08

© Reproduced with the permission of Zurich Municipal. Further information can be obtained from Zurich Municipal Technical Guidance Note Section 5 1994 or from the Building Control Section of your Local Authority. The views expressed in this document are those of the DSA and do not necessarily reflect those of the Department of the Environment or any other Government Department

DSA
DISTRICT SURVEYORS
ASSOCIATION